

CABLE 124 RF: RF CABLE ASSEMBLY, HIROSE H.FL PLUG + SMA RIGHT ANGLE PLUG + 1.48 CABLE

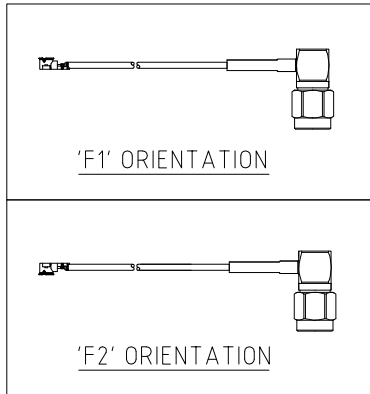
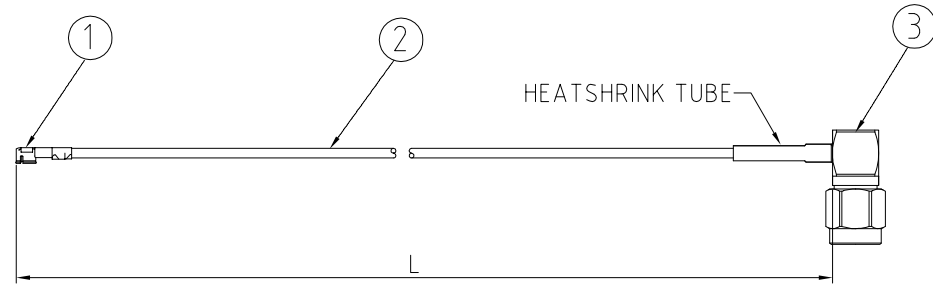
SPECIFICATIONS

1. HIROSE H.FL PLUG (H.FL-LP)
2.  $\phi$ 1.48mm COAXIAL CABLE, BLACK
3. SMA RIGHT ANGLE PLUG (RFCT-SMA070-M48)

NOTES:

1. THE ORIENTATION OF CONNECTORS ON DRAWING IS FOR REFERENCE ONLY, IF THE ORDER IS LEFT BLANK THE CONNECTOR WILL NOT HAVE FIXED ORIENTATION.
2. FIXED ORIENTATION IS SUGGESTED FOR CABLE LENGTH 25MM TO 100MM. PLEASE SPECIFY THE FIXED ORIENTATIONS FROM THE ORDER CODE (F1, F2, ETC)
3. CONTACT GRAD CONN IF THE ORIENTATION YOU REQUIRE IS NOT SHOWN.
4. WORKING FREQUENCY RANGE: DC-3GHz
5. OPERATING TEMPERATURE: -40°C TO +85°C
6. IMPEDANCE: 50 OHM.

**USAGE PRECAUTIONS: CABLES USING 'MICRO' COAX ARE DELICATE:**  
 (i) HANDLE WITH CARE.  
 (ii) DO NOT TWIST; APPLY EXCESSIVE FORCES OR SHARP BENDS TO THE CABLE. DO NOT FORCEFULLY DEFORM WIRES.  
 (iii) CONSULT CONNECTOR MANUFACTURER'S DATASHEETS FOR DETAILED NOTES ON HANDLING INSTRUCTIONS.

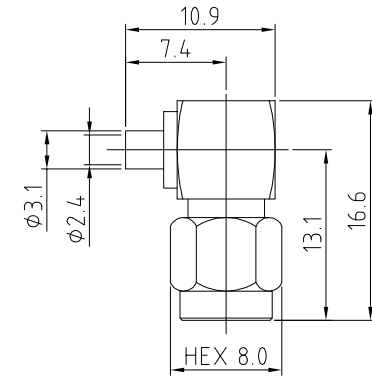


HOW TO ORDER

CABLE 124 RF - X X X - X X

"L" LENGTH IN MM  
 eg: 100MM = 100  
 (MIN. 025-MAX.400)  
 STANDARD = 100, 150, 200  
 Tolerance: <50mm :  $\pm$ 2mm.  
 51-200mm:  $\pm$ 5mm.  
 201-400mm:  $\pm$ 7mm.

BLANK = DOES NOT HAVE A FIXED ORIENTATION  
 F1 = H.FL CONNECTION UP (L=25-220MM)  
 F2 = H.FL CONNECTION DOWN (L=25-220MM)  
 (SEE NOTES 1, 2, 3 AND DIAGRAMS FOR MORE INFORMATION)



SMA PLUG DETAIL DIMENSION

REV. DATE & DRN  
 10 08/09/11 - NYW RELEASE  
 11 10/07/12 - NYW AMEND HIROSE P/N  
 12 20/01/12 - NYW AMEND WORKING FREQUENCY.  
 13 05/10/21 - NYW AMEND SMA P/N & DWG. ADD NOTES 5&6.

Scale: NTS	THIRD ANGLE	Unstated X .XX .XXX ANGLES	Tolerances: N/A N/A N/A N/A	Material SEE NOTE
Drawn: NYW				
App'd: XXX	Title: CABLE ASSEMBLY	NOT TO SCALE		
Date: 5 OCT. '21	Revision: 13	Unit: mm		



www.gradconn.com

THIS DRAWING IS CONFIDENTIAL AND MUST NOT BE COPIED OR DISCLOSED WITHOUT WRITTEN CONSENT

Type: Cable 124 RF

CABLE 124 RF

Drawing Number:

Sheet 1 of 1

Drawing © E and O E